

Beer Dispensers

2 Years Parts and Labor Warranty



FEATURES / BENEFITS

*1 Year Parts and Labor Warranty for SB unit

- **EFFICIENT REFRIGERATION SYSTEM**
Turbo Air's refrigerators are designed with oversized and balanced (CFC Free R-134A) refrigeration systems. These include efficient evaporators and condensers for faster cooling and greater efficiency.
- **STAINLESS STEEL LOUVER**
Positive guided, forced air cooling system ensures cold product.
- **STAINLESS STEEL CABINET CONSTRUCTION**
This model boasts a stainless steel interior and exterior (except SB models). It guarantees the utmost in cleanliness and long product life. The Beer Dispenser can add a touch of style to the most refined setting.
- **HIGH-DENSITY POLYURETHANE INSULATION**
Entire cabinet structure is formed-in-place using high density, CFC free polyurethane insulation.
- **3" DIAMETER STAINLESS STEEL INSULATED BEER COLUMNS**
- **ERGONOMICALLY DESIGNED DOORS**
Customers' fatigue fades away with easy grip handles and doors that open effortlessly. These features along with self-closing doors make this the ultimate choice in customer convenience. ABS sheet door liners resist water condensation with thermal efficiency.
- **SIDE MOUNT COMPRESSOR UNIT**
Through positioning the compressor to the side, the refrigerator can be serviced without being moved. By innovatively creating a front breathing feature, this model can provide high efficiency in narrow spaces.
- **INCANDESCENT INTERIOR LIGHTING**
- **REFRIGERATOR HOLDS 33°F ~ 38°F FOR THE BEST IN BEVERAGE PRESERVATION**

* Does not include keg couplers

Model	Swing Door	1/2 Barrels	HP	AMPS	Crated Weight	L D H
TBD-1SD	1	1	1/4	5.0	185	23 1/2 x 27 1/9 x 37
TBD-2SD	2	2	1/3	7.0	309	58 4/5 x 27 1/9 x 37
TBD-2SB	2	2	1/3	7.0	309	58 4/5 x 27 1/9 x 37
TBD-3SD	2	3	1/3	7.0	353	69 x 27 1/9 x 37
TBD-3SB	2	3	1/3	7.0	331	69 x 27 1/9 x 37

TBD-2SD(B) / TBD-3SD(B) SPECIFICATIONS

MODEL	TBD-2SD/TBD-2SB	TBD-3SD/TBD-3SD
Exterior Dimension(LxDxH)	58 ⁴ / ₅ x27 ¹ / ₉ x37	69x27 ¹ / ₉ x37
Compressor (HP)	1/3	1/3
Net Weight	276lbs	298lbs
Voltage (NEMA-5-15P)	115V / 60Hz	115V / 60Hz
Amp.	7.0 A	7.0 A
Cord Length	8.7 ft.	8.7 ft.
Plug-In	NEMA 5-15P	NEMA 5-15P

- SELF-CONTAINED SYSTEM
- DOOR LOCKS STANDARD
- 4" SWIVEL CASTERS
- REMOTE CABINETS AND CONDENSING UNITS AVAILABLE FOR ALL MODELS.

*Design and specifications subject to change without notice.

■ **WARRANTY:** 1 Year Labor and Parts Warranty
(SB Model) Additional 4 Years Warranty on Compressor

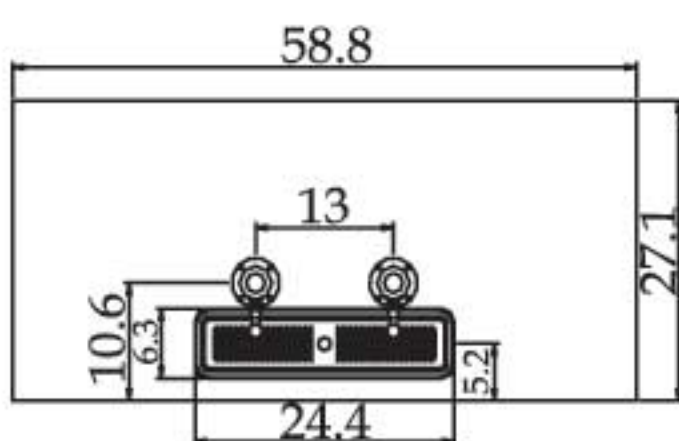
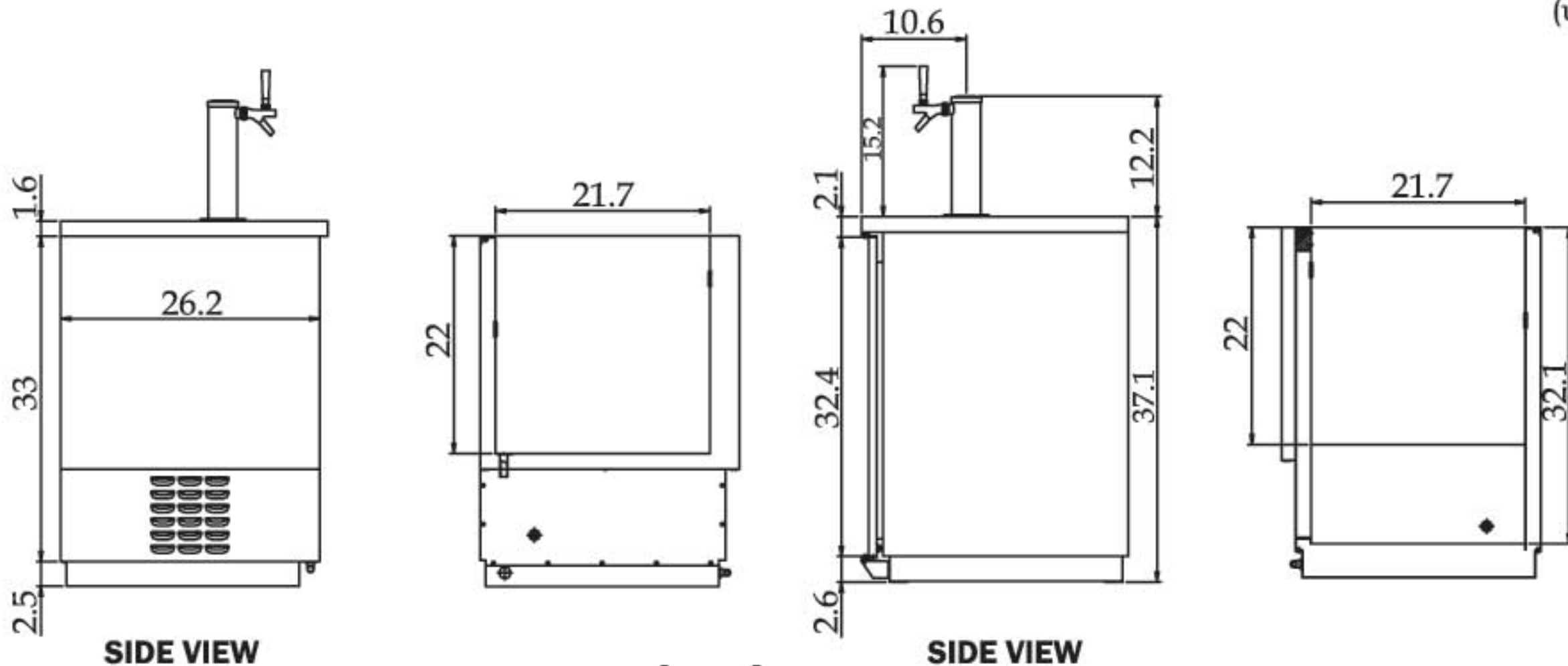
■ **WARRANTY:** 2 Years Labor and Parts Warranty
(SD Model) Additional 3 Years Warranty on Compressor



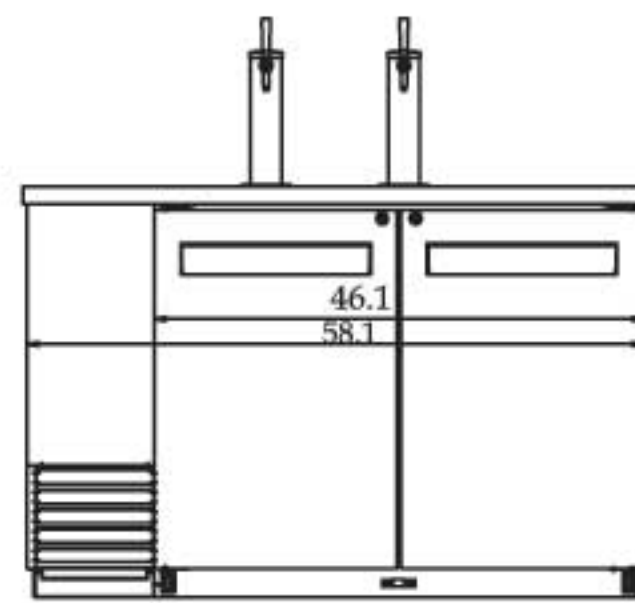
LISTED
COMMERCIAL
REFRIGERATOR
AND/OR FREEZER
438K



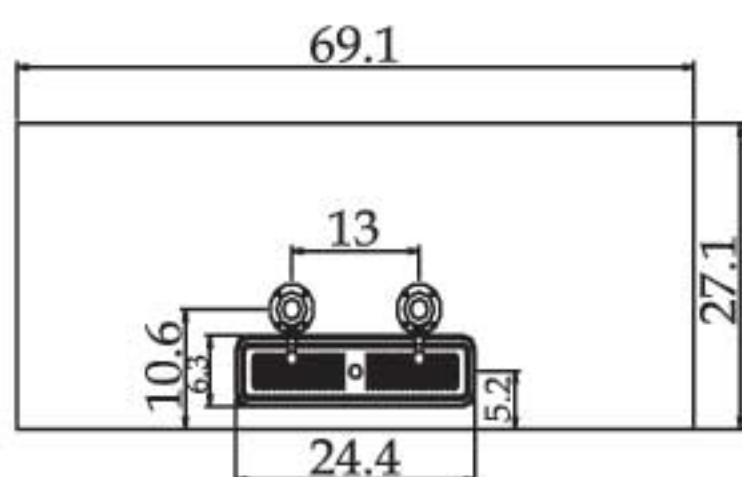
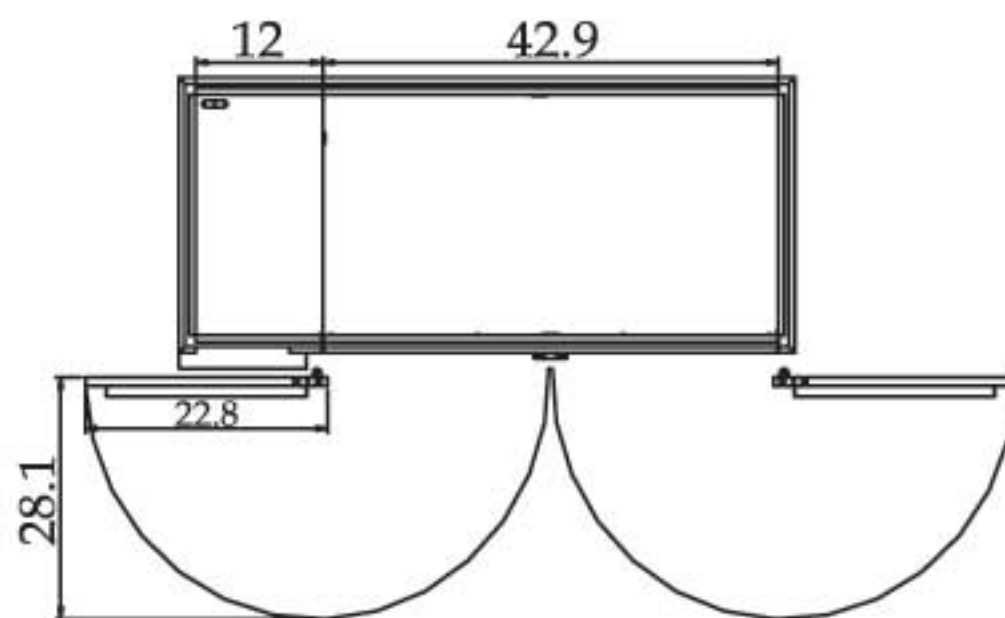
(unit : inch)



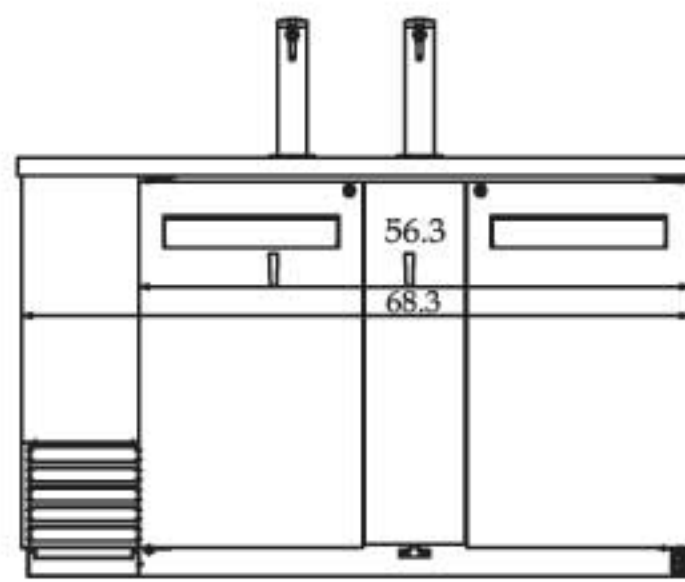
TBD-2SD/2SB PLAN VIEW



TBD-2SD/2SB FRONT VIEW



TBD-3SD/3SB PLAN VIEW



TBD-3SD/3SB FRONT VIEW

