

Newly Improved

Glass Door Freezers

Digitally Controlled Uniform Temperature



TGF-23F



TGF-49F

≡ FEATURES / BENEFITS ≡

- **DIGITAL TEMPERATURE CONTROL SYSTEM**
Provides precise and constant temperature. This level of precision allows food products to remain fresh over an extended period of time.
- **HIGH-TECH MONITOR**
The unit will beep if the door has been opened for more than 5 minutes. The monitor digitally displays the present temperature and current status of the refrigerator. You can easily change the temperature by adjusting the thermostat.
- **EFFICIENT REFRIGERATION SYSTEM**
Turbo Air's freezers are designed with oversized and balanced (CFC Free R-404A) refrigeration systems. These include efficient evaporators and condensers for faster freezing and greater efficiency.
- **AUTOMATIC EVAPORATOR FAN MOTOR DELAYS**
Through stopping the evaporator fan when the freezer door opens, the circulation of hot, moist air into the freezer is prevented. This increases energy efficiency and lengthens the life of the compressor.
- **TRIPLE PANE HEATED GLASS DOORS WITH HEAT REFLECTING FILM**
Equipped with unique triple pane heated glass doors with a layer of patented, transparent thermal insulating film applied between the glass layers. Lightweight door construction reduces door maintenance and roller wear, and facilitates smooth door.
- **ADJUSTABLE, HEAVY DUTY, PE(POLYETHYLENE) COATED WIRE SHELVES**
- **HIGH-DENSITY POLYURETHANE INSULATION**
The entire cabinet structure is formed-in-place using high density, CFC free polyurethane insulation.
- **ERGONOMICALLY DESIGNED DOORS**
Customers' fatigue fades away with easy grip handles and doors that open effortlessly. Self-closing and stay open doors features make this the ultimate choice in customer convenience.
- **MAGNETIC DOOR GASKET**
Magnetic door gaskets are of one piece construction, removable without tools for ease of cleaning and replacement.
- **BOTTOM MOUNT COMPRESSOR UNITS**
Turbo Air's bottom mount compressor allows easier access for service and extra storage space above. In addition, the lower area provides a cooler and less greasy operating environment which results in reduced compressor running time.
- **FREEZER HOLDS -15°F ~ 5°F FOR THE BEST IN FROZEN FOOD PRESERVATION**

Model	Swing Door	CU./FT.	#of Shelves	HP	AMPS	Crated Weight	L D H
TGF-23F	1	23	4	3/4	82	419	27 x 31 x 834/5
TGF-49F	2	49	8	1-1/4	110	595	542/5 x 31 x 834/5
TGF-72F	3	72	12	1-3/4	130	900	82 x 31 x 834/5

*TGF-49F, TGF-72F requires dual voltage 115/208~230V (NEMA L14-20)

TGF-23F / TGF-49F SPECIFICATIONS

MODEL	TGF-23F	TGF-49F
Exterior Dimension (LxDxH)	27x31x83 ⁴ / ₅	54 ² / ₅ x31x83 ⁴ / ₅
Interior Dimension (LxDxH)	23x26 ¹ / ₅ x60 ² / ₅	50 ¹ / ₂ x24 ⁴ / ₅ x60 ² / ₅
Cubic Feet	23	49
Compressor (HP)	3/4	1 ¹ / ₄
Voltage (i) NEMA-5-15P (ii) NEMA-L14-20-15P	(i) 115V 60Hz	(ii) 115V/220V
Amp	8.2A	11A
Plug-in installation	NEMA 5-15p	NEMA L14-20
Shelves	4EA	8EA
Shelf Size(in)	21 ⁴ / ₅ x22 ¹ / ₂	21 ⁴ / ₅ x22 ¹ / ₂
Net Weight	375.9lbs	700lbs

STANDARD FEATURES

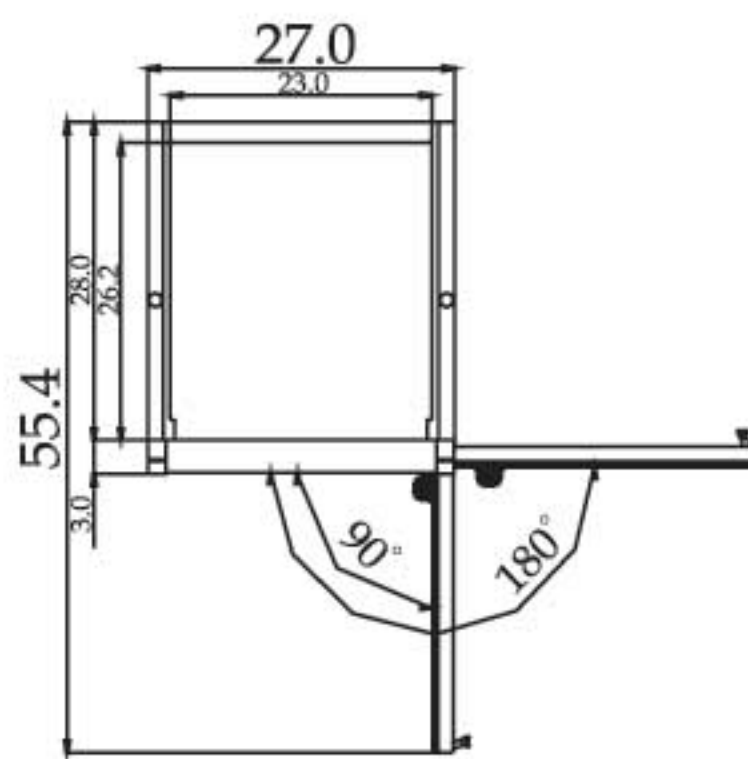
- White color cabinet
- White color frame of door
- Triple pane heated glass door
- Fluorescent light for interior display and advertising effect
- 4" swivel casters

*Design and specifications subject to change without notice.

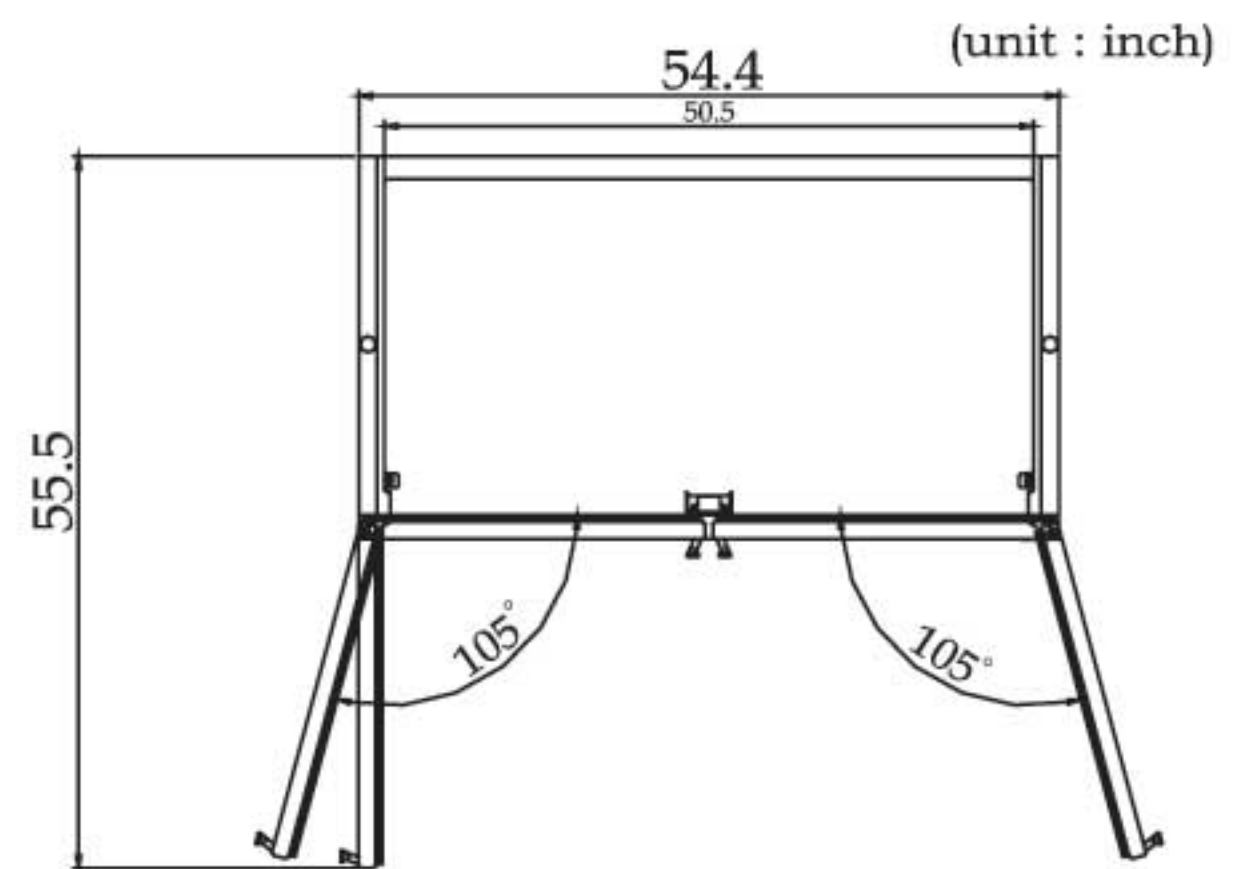
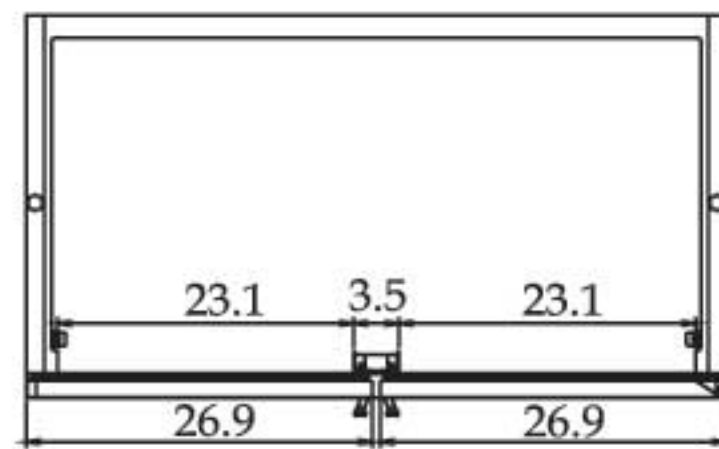
■ **WARRANTY :** 1 Year Labor and Parts Warranty
Additional 4 Years Warranty on Compressor



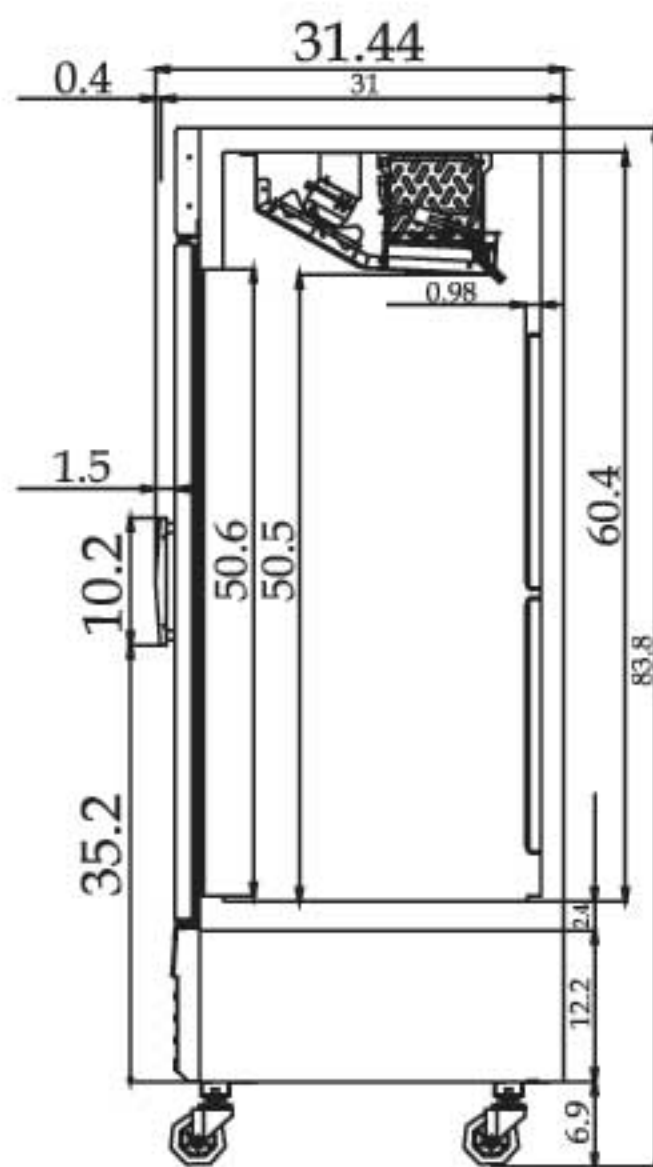
LISTED
COMMERCIAL
REFRIGERATOR
AND/OR FREEZER
43BK



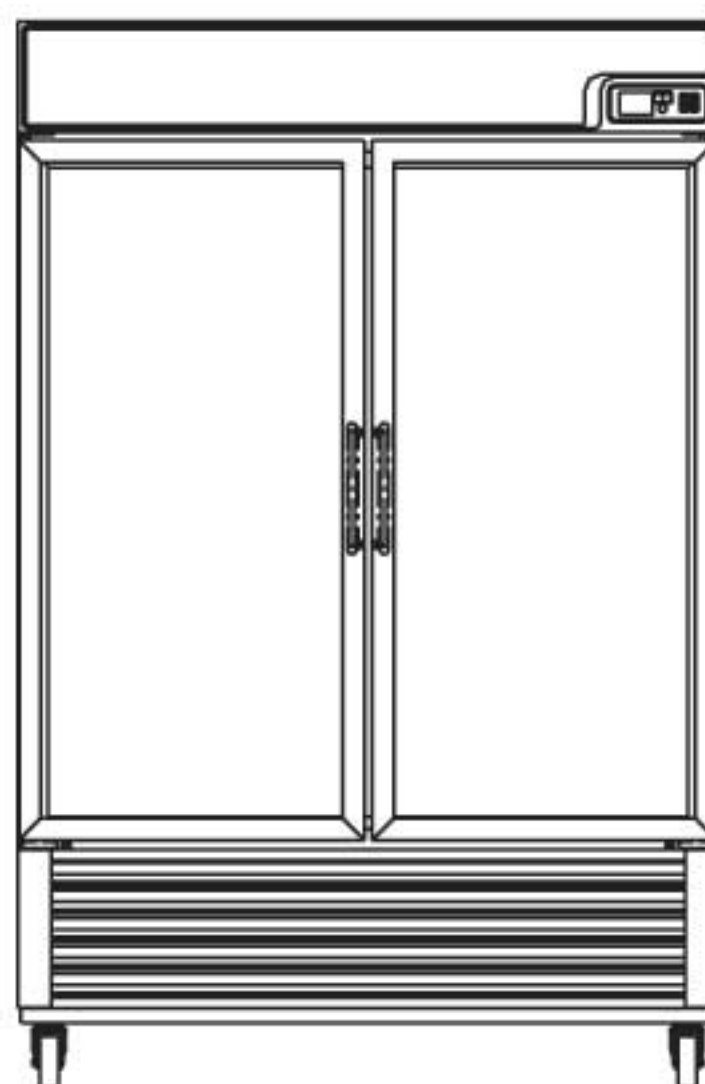
TGF-23F PLAN VIEW



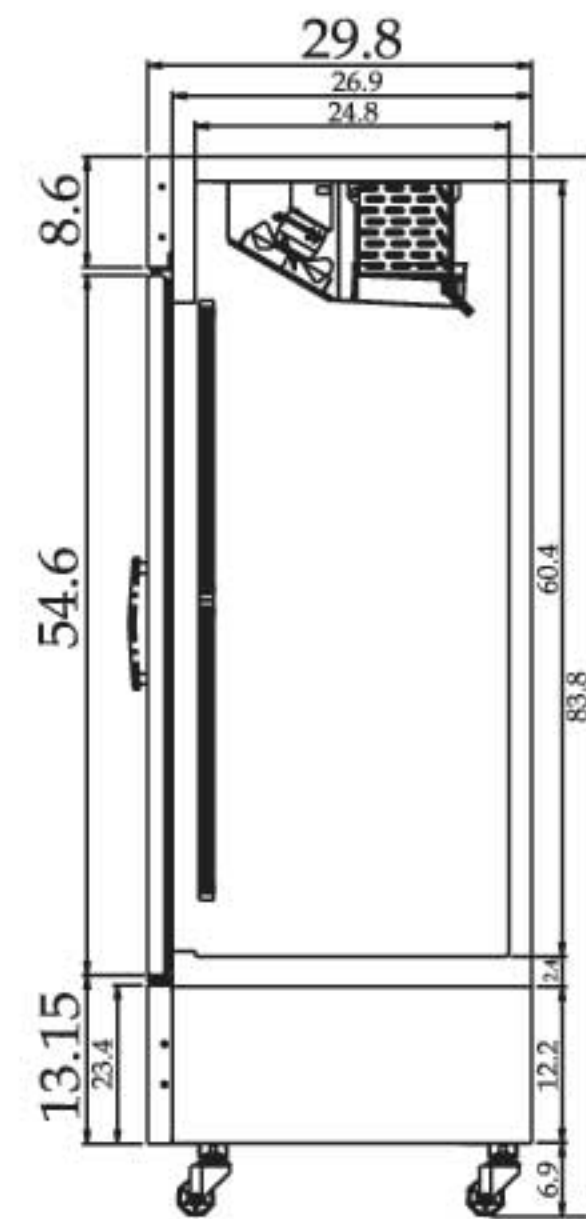
TGF-49F PLAN VIEW



TGF-23F SIDE VIEW



TGF-49F FRONT VIEW



TGF-49F SIDE VIEW