

**Turbo air**  
AIR CONDITIONER MANUFACTURER

4184 E. Conant St.  
Long Beach, CA 90808  
Tel. 888-900-1002  
Fax. 310-900-1088  
www.turboairinc.net

Project :

Model # :

Item # :

Qty :

Approval :

## Center Mount Cooler

**Model : TCE178B**



### ≡ FEATURES / BENEFITS ≡



Blue Anti-Corrosion  
Hydrophobic Coated Fin.  
Air Pass Guard for Better  
Efficiency.



Inner Groove Copper Tube  
for Maximum Coil Efficiency.  
Mounted TXV, Solenoid,  
Thermostat(Optional).



Stainless Steel Mount-  
ing, Bolt and Drain.  
Double Drain Pan for  
Easier Cleaning.

#### MODEL CAPACITY

- Air Defrost Coil : 5800(1 Fan) ~ 35600BTU(5 Fan)
- Electric Defrost Coil : 5800(1 Fan) ~ 35600BTU(5 Fan)
- Optional EC Motor Available

# Center Mount Cooler

## Model : TCE178B

TCE Electric Defrost Models 60Hz. With PSC Motors.

Capacity BTUH/Watts 10°F /6°C TD 25°F / -4°C SST	Capacity BTUH/Watts 15°F /8°C TD 25°F / -4°C SST	Fan Data	
		CFM / m <sup>3</sup> H	No.
17805 / 5215	25024 / 7329	2162 / 3673	2

PSC Motor Data 230V 1Ph 60Hz			Defrost Heater (Total Amps)		
HP	Total Amps	Watts	Watts	230/ 1/60	230/ 3/60
1/15	0.70	160	4000	17.40	N/A

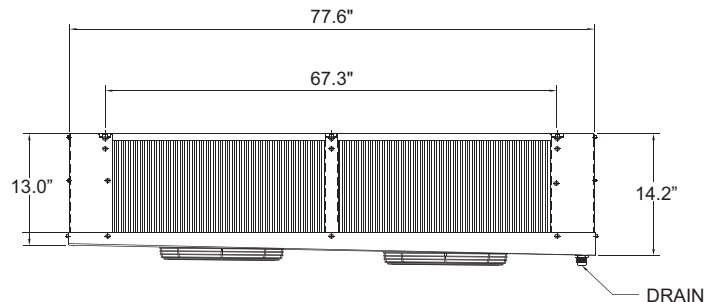
Connections (Inches)				Approx. Net Wt. Lbs
Coil Inlet	Suction	External Equalizer	Drain	
1/2 OD	1-1/8 ID	1/4 OD	3/4 MPT	141

Design and specifications subject to change without notice

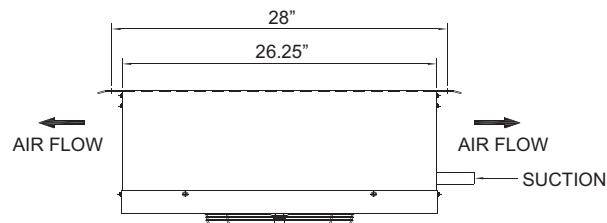
■ **WARRANTY : 1 Year Fan Motor and Parts Warranty**

## PLAN VIEW

(unit : inch)



FRONT VIEW



RIGHT SIDE VIEW



■ Toll Free : 888-900-1002

REFRIGERATOR MANUFACTURER  
**Turbo air**

**GERMAN  
KNIFE**

**RADIANCE**

**GREEN WORLD**

AIR CONDITIONER MANUFACTURER  
**Turbo air**