

Condensing Unit

Model : TH030XR404A2



≡ FEATURES / BENEFITS ≡

- Blue anti-corrosion-fin increases the life span of the coil.
- Seamless inner groove copper tube increases the heat exchange rate by reducing the space between the fin and copper tube.
- Highest quality compressor in the world.
- Copeland
- Head pressure control stabilizes the freezing of liquid line, minimizes formation of flash gas to increase efficiency of the system, and prevents compressor damage by controlling high pressure.
- Experienced engineers have designed the system for maximum efficiency.
- Fan Blades : Specifically matched with motors and coil for maximum air movement and cooling.
- Control box is designed for easy installation.
- Low pressure control is adjustable.
- All the parts are compliant with industry standards and interchangeable with readily available parts.
- Wiring : Easily accessible. Compressor comes with a wiring harness that is manufactured with connections that will not come loose with vibration.
- Control box and service valves are located outside for easy service.
- Base : Heavy duty steel. Legs are 2-1/6" tall
- Cabinet : Prepainted with galvanized body. Protects against corrosion.
- All products carry UL, cUL, ISO 9001 approvals.

Condensing Unit

Model : TH030XR404A2

PERFORMANCE CHART

R404A

	0°F(SST)	-5°F	-10°F	-15°F	-20°F	-25°F	-30°F	-40°F
90°F(AMBIENT)	20080	18050	15820	13960	11960	10142	8418	-
95°F	18350	16520	14680	12910	11060	9352	7698	-
100°F	17480	15740	13800	12100	10344	8720	7126	-
110°F	14870	13450	11820	10326	8755	7334	5902	-

SPECIFICATION

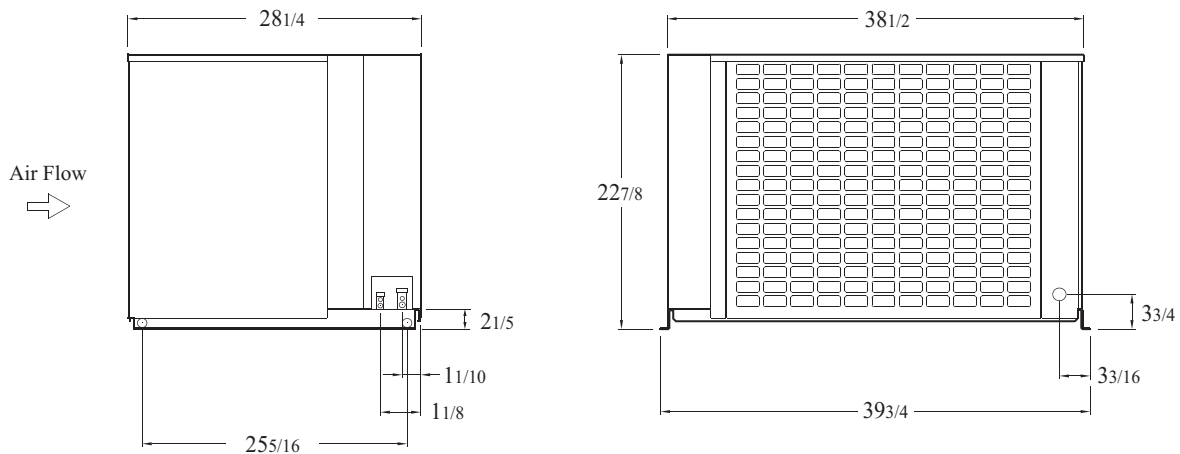
Compressor	CF12K6E-PFV
Line Size	1/2" Liquid 7/8" Suction
Refrigerant (Receiver 90%)	14 lbs
Fan Data	2Fan(1890CFM)
Dimensions	38.50(D) x 28.27(W) x 22.87(H)
Net Weight	223 lbs
Power Supply	208-230/1ph/60hz
Compressor Amp	20.5(RLA), 105(LRA)
MCA/MOPD	26.5/40
Sound dBA	74

Design and specifications subject to change without notice

- **WARRANTY :** 1 Year Compressor Warranty (4 Year extended warranty available)
 1 Year Fan Motor and Parts Warranty

PLAN VIEW

(unit : inch)



Ver.20180606



■ Toll Free : 888-900-1002

REFRIGERATOR MANUFACTURER
Turbo air

GERMAN KNIFE

RADIANCE

REFRIGERATION SYSTEM
Turbo air

TEXAKING