



**For service contact:**  
German Knife Inc.  
1-800-500-3519  
www.turboairinc.com

# OWNER & OPERATOR INSTRUCTION MANUAL

**Model No.**

**GBS-450S**



## **IMPORTANT SAFETY NOTICE**

To ensure safe and trouble free performance of you new German knife slicer, we suggest that all personnel who will use and maintain the slicer read and understand the manual before operating the equipment. Should there be any questions or if we can be of further assistance, please call us toll free at (800) 500-3519.

## TABLE OF CONTENTS

	PAGE
LUBRICATION INSTRUCTION .....	3
FRAME PARTS .....	4
UPPER SAW WHEEL PARTS .....	5
LOWER SAW WHEEL PARTS .....	6
SAW GUIDE PARTS .....	7
DRIVE PARTS .....	8
FRONT SCRAPER PARTS .....	9
REAR SCRAPER PARTS .....	10
MEAT GAUGE PARTS .....	11
TABLE PARTS .....	12
ELECTRIC CURCUIT .....	13
WARRANTY INFORMATION .....	14

### **German Knife Inc**

4184 E. Conant St., Long Beach, CA 90808

Phone : 800-500-3519

Fax : 310-900-1066

[www.turboairinc.com](http://www.turboairinc.com)

# LUBRICATION INSTRUCTIONS

**UPPER WHEEL :**

2-4 strokes with grease gun every 30 days as needed

**TENSION HANDLE :**

Lubricate daily with edible oil while screwing in and out

**UPPER BLADE GUIDE SUPPORT BAR :**

Lubricate daily with food grade oil while moving up and down

**MEAT CARRYING TABLE WHEELS :**

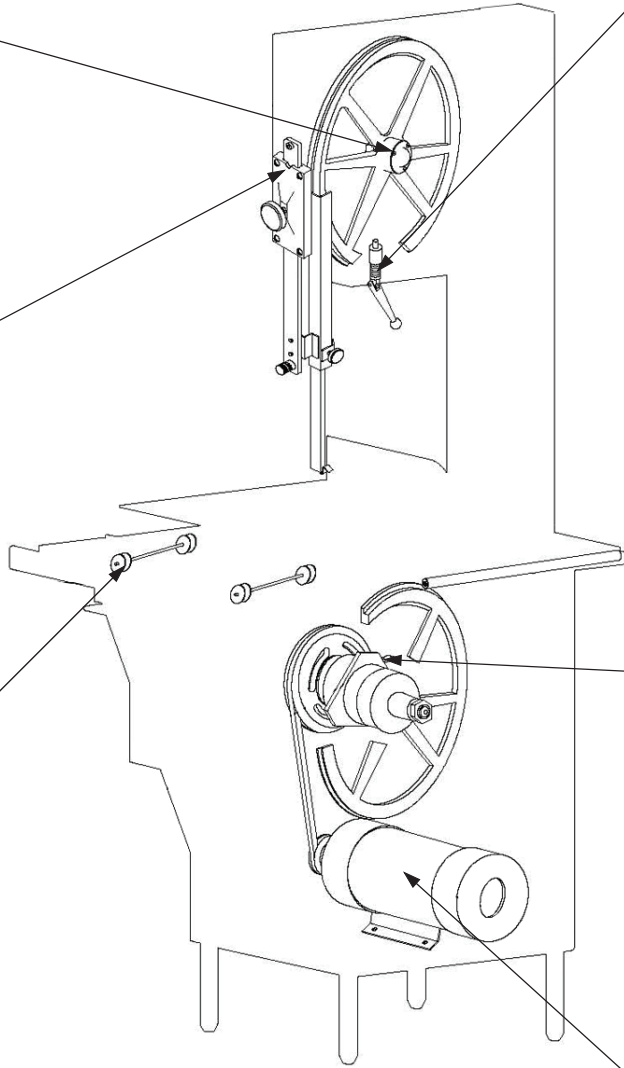
Lubricate daily with edible oil

**LOWER WHEEL & BEARING HOUSING :**

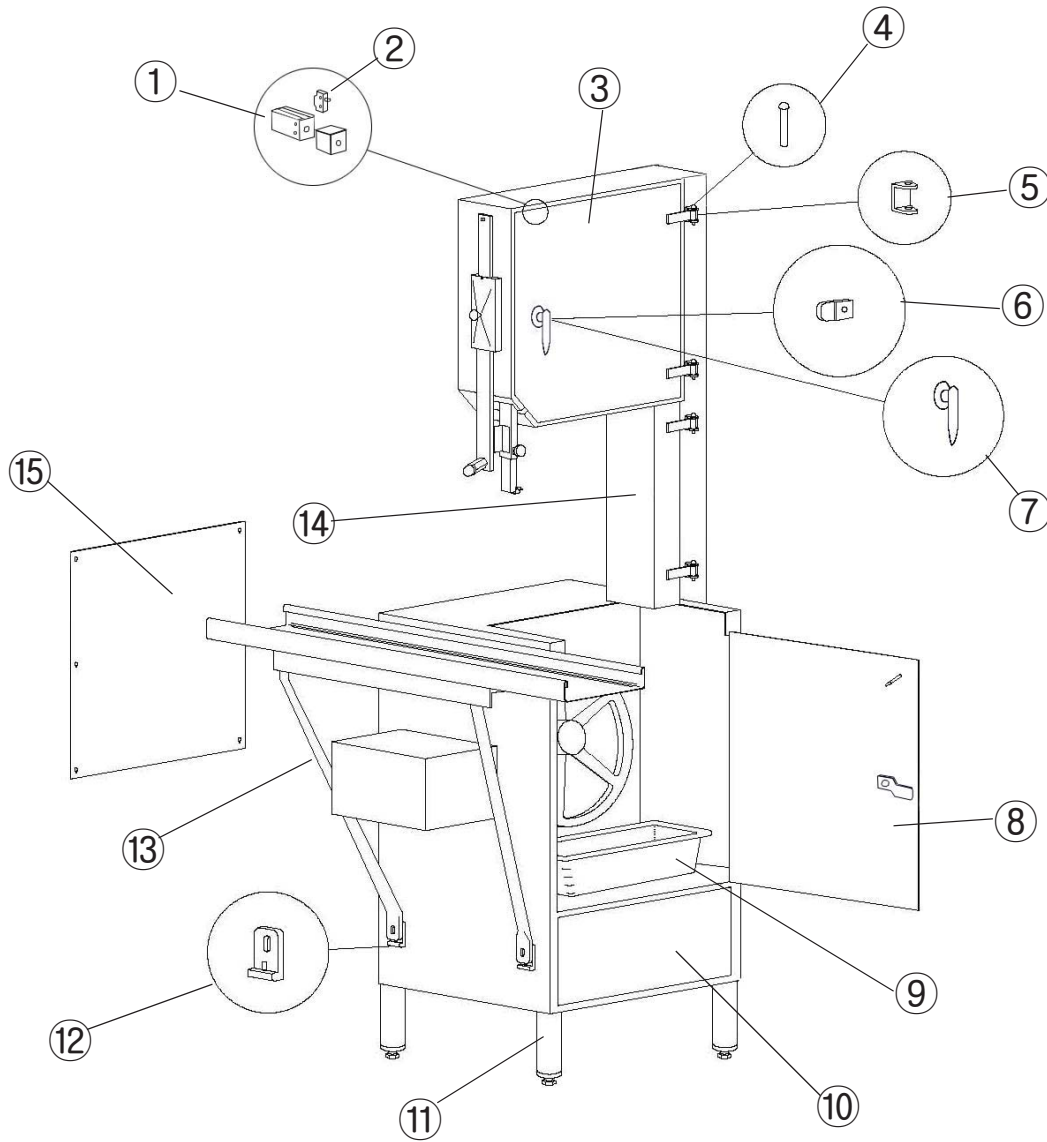
2-4 strokes with grease gun every 30 days as needed

**MOTOR :**

If equipped with grease fittings grease every six months with bearing grease

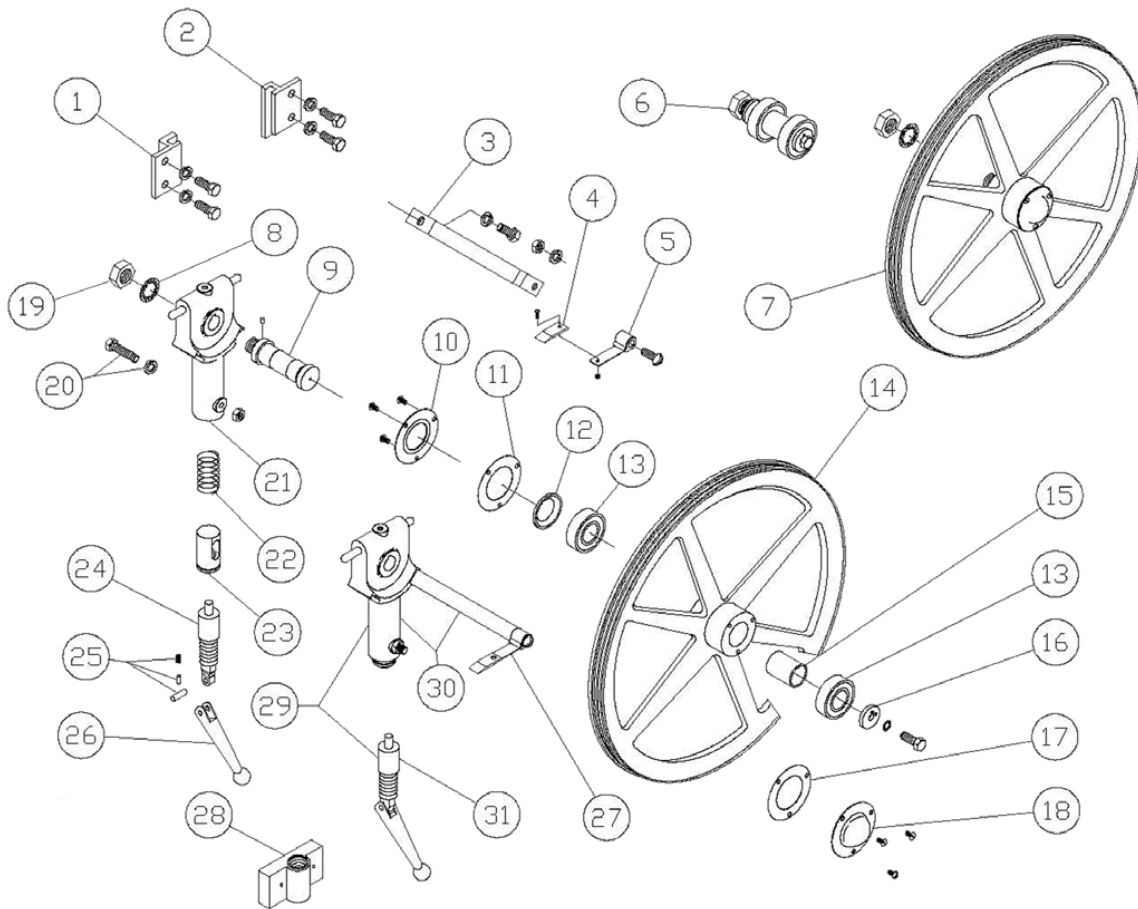


## FRAME PARTS



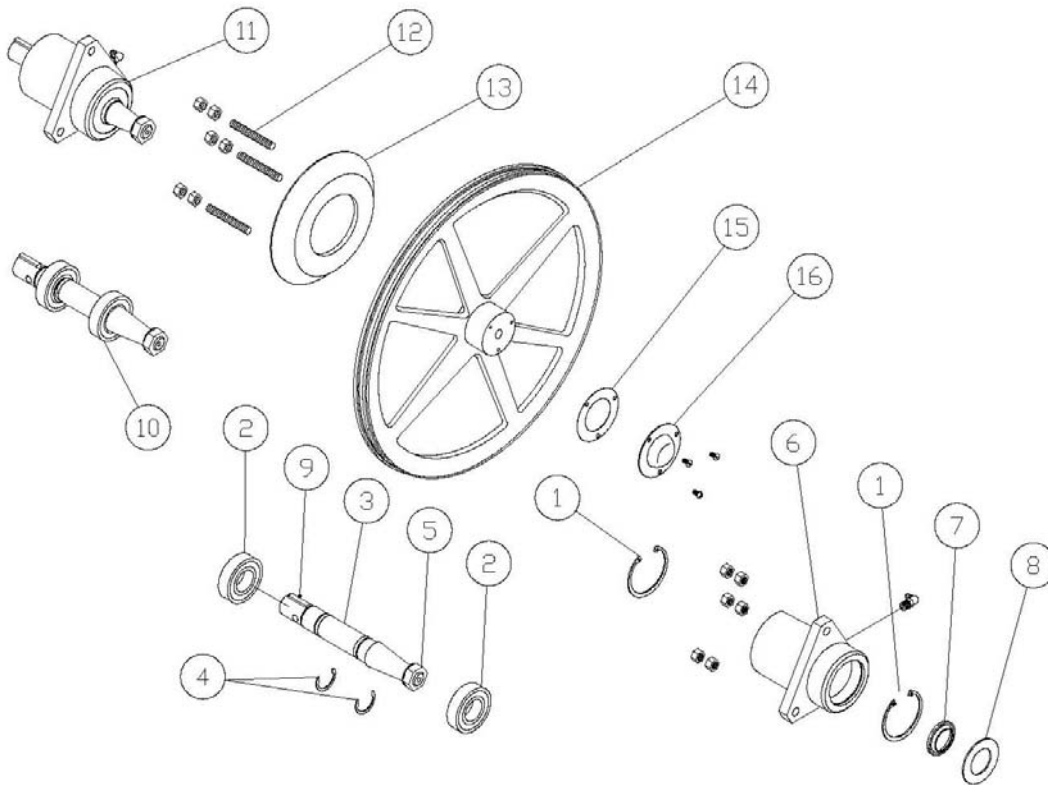
ITEM	DESCRIPTION	PART NO.	USE	ITEM	DESCRIPTION	PART NO.	USE
1	Upper micro switch cover	301101	1	9	Scrap Box	301109	1
2	Micro switch	301102	2	10	Motor Access Panel	301110	2
3	Upper door	301103	1	11	Leg Assy	301111	4
4	Hinge Pin	301104	6	12	Brace Adjust Bracket	000219	2
5	Hinge	301105	6	13	Brace	301113	2
6	Door Latch	301106	2	14	Middle Door	301114	1
7	Door Handle	301107	2	15	Rear Cover	301115	1
8	Lower Door	301108	1				

## UPPER SAW WHEEL PARTS



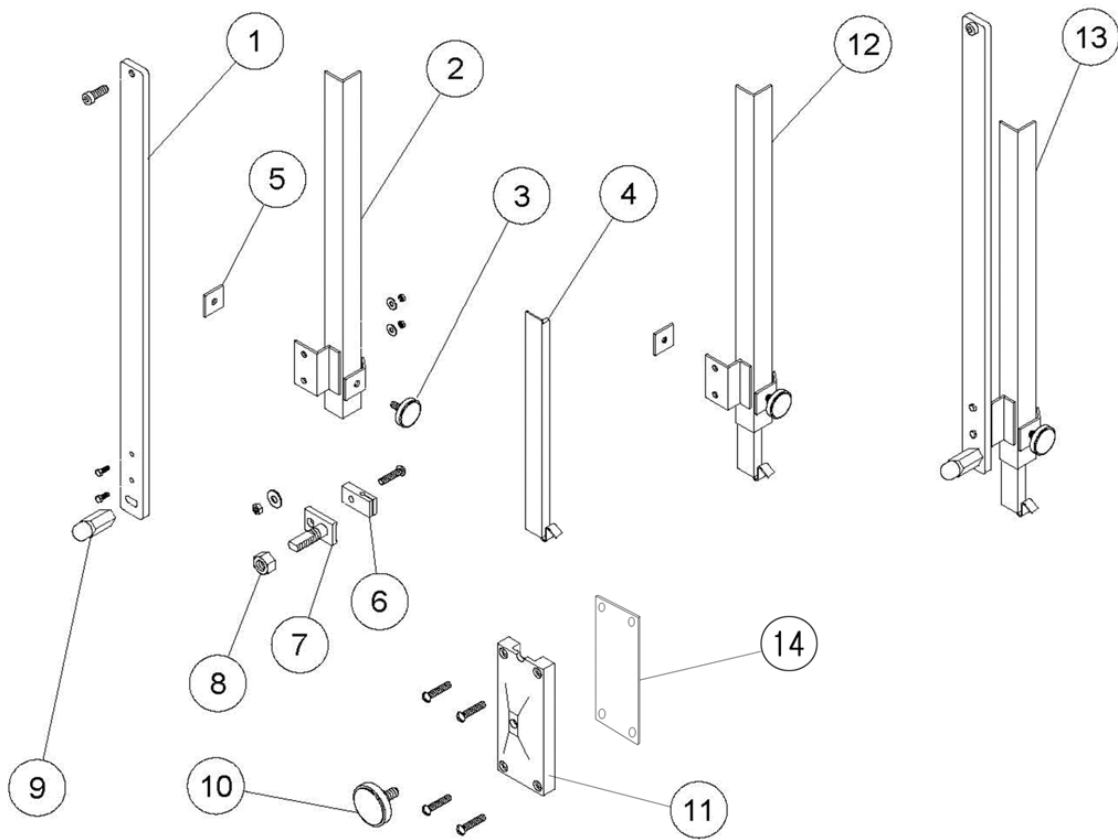
ITEM	DESCRIPTION	PART NO.	USE	ITEM	DESCRIPTION	PART NO.	USE
1	Guide Block LH	000101	1	17	Gasket	301217	2
2	Guide Block RH	000102	1	18	Hub Cap	301218	1
3	Scraper Arm	301203	1	19	Upper Shaft Nut	301219	1
4	Fiber Scraper	301204	1	20	Adjusting Screw & Nut	301220	1
5	Scraper Spring	000132	1	21	Upper Hanger	000121	1
6	Upper Shaft & Bearing Assy	301206	1	22	Tension Spring	301222	1
7	16" Upper Wheel & Shaft Assy	301207	1	23	Indicator	301223	1
8	Washer	301208	1	24	Adjusting Screw	301224	1
9	Upper Shaft W/Nut & Washer	301209	1	25	Pins & Spring Assy	301225	1
10	Bearing Retainer	301210	1	26	Tension Handle	000126	1
11	Gasket	301211	2	27	Wheel Scraper Assy	301227	1
12	Rubber Seal	301212	1	28	Gauge Block	000128	1
13	Bearing	301213	2	29	Blade Tension Assy	301229	1
14	16" Upper Wheel	000114	1	30	Hanger & Arm Assy	301230	1
15	Bearing Spacer	301215	1	31	Tension Handle Assy	301231	1
16	Retainer & Screw Assy	301216	1				

## LOWER SAW WHEEL PARTS



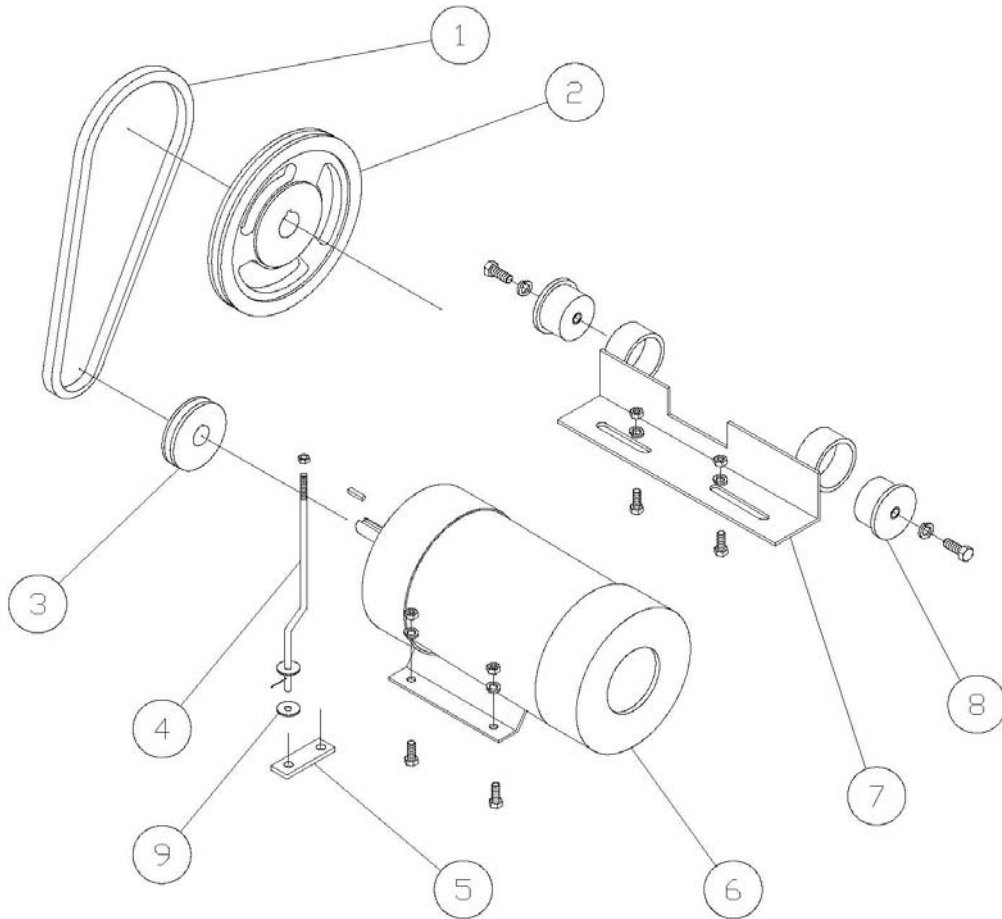
ITEM	DESCRIPTION	PART NO.	USE
1	Snap Ring	301301	2
2	Bearing	301213	2
3	Lower Wheel Shaft & Washer, Nut	301303	1
4	Snap Ring	301304	2
5	Nut & Washer	301305	1
6	Bearing Case	000138	1
7	Rubber Seal	301307	1
8	Special Washer	301308	1
9	Key	301309	1
10	Lower Shaft and Bearing Assy	301310	
11	Lower Bearing Case and Shaft Assy	301311	
12	Stud	301312	3
13	Bearing Case Support	301313	1
14	16" Lower Wheel	000145	1
15	Gasket	301211	1
16	Hub Cap	301218	1

## SAW GUIDE PARTS



ITEM	DESCRIPTION	PART NO.	USE
1	Blade Support Adj. Bar	301401	1
2	Blade Guard Assy. Rh	301402	1
3	Knob	301403	1
4	Blade Guard Extension Rh	301404	1
5	Extension Stop	301405	1
6	Blade Guide	301406	1
7	Holder	000152	1
8	Lock Nut	301408	1
9	Hand Grip Hex Nut	000154	1
10	Knob	301410	1
11	Blade Support Bar Guide	000157	1
12	Blade Guard Assy. W/Ext-Rh	301412	1
13	Blade Guard Assy. W/Ext & Adj. Bar	301413	1
14	Blade Support Bar Guide Spacer	301414	1

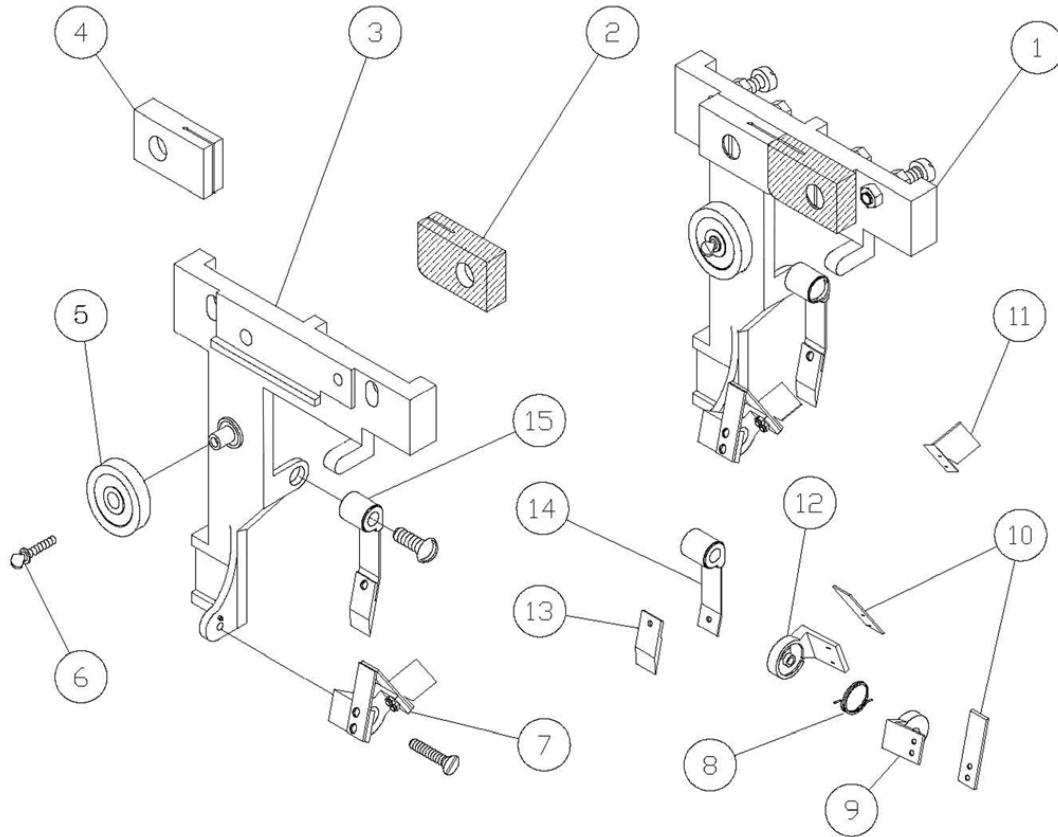
## DRIVE PARTS



ITEM	DESCRIPTION	PART NO.	USE
1	V-Belt	301501	1
2	Driven Pulley(8.5")	301502	1
3	Motor Pulley(Standard)	301503	1
	Motor Pulley(High Speed)	301503	
4	Torque Rod Assy	301504	1
5	Torque Bracket	301505	1
6	Motor(3HP)	301506	1
7	Motor Mount Assy	301507	1
8	Rubber Mount Assy	301508	2
9	Rubber Washer	301509	1

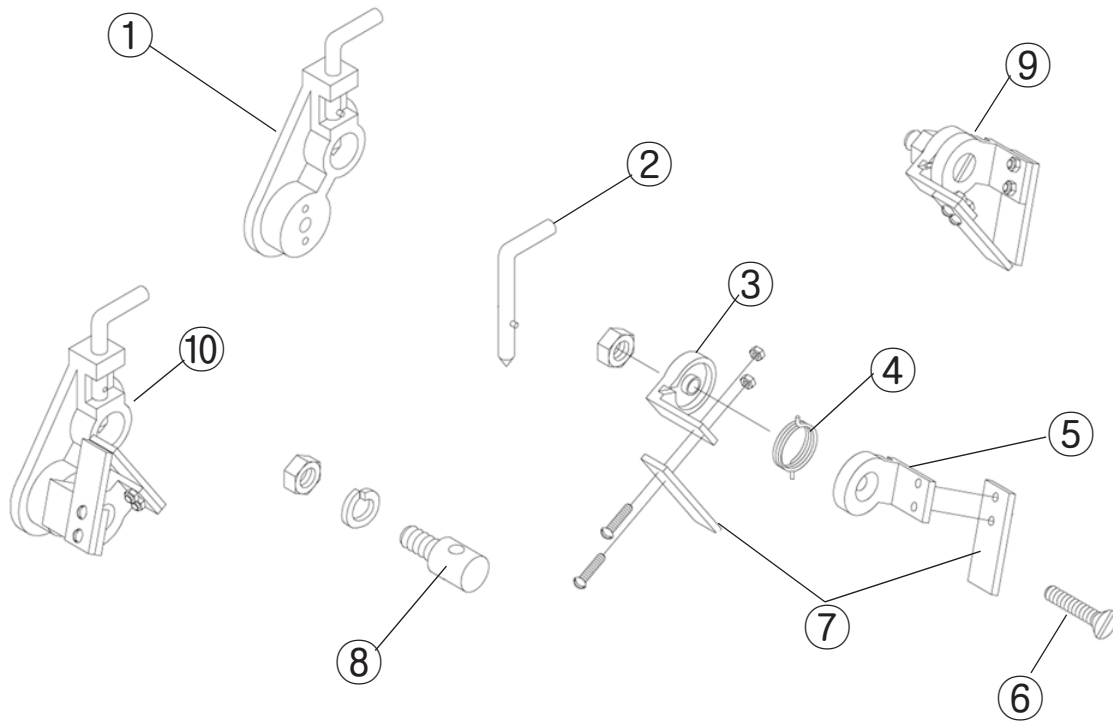


## FRONT SCRAPER PARTS



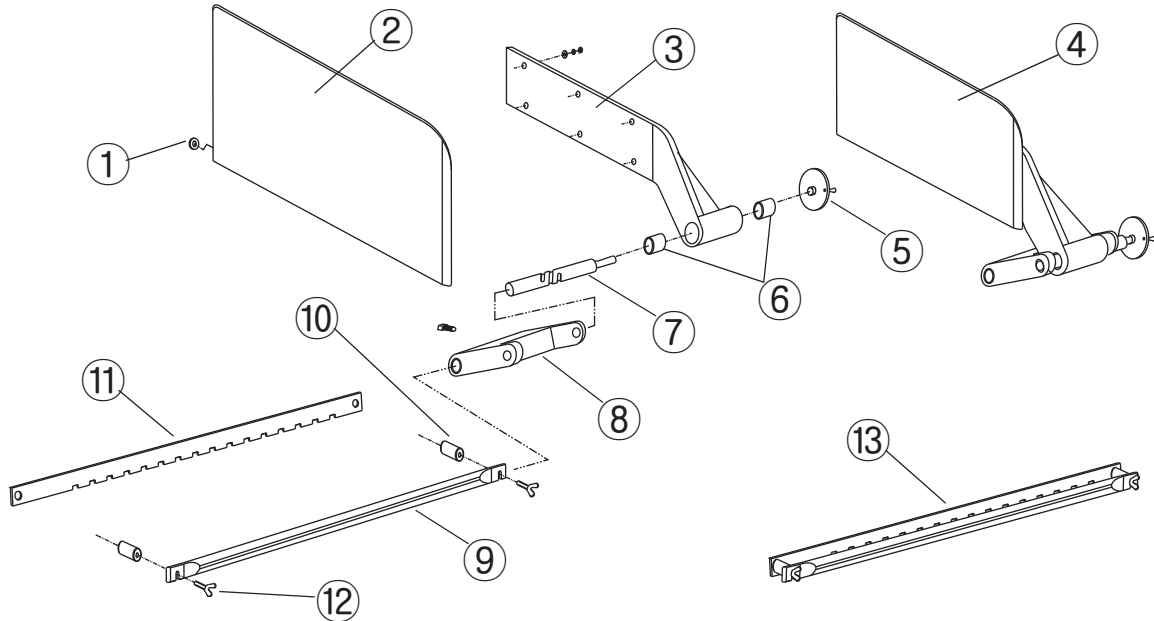
ITEM	DESCRIPTION	PART NO.	USE
1	Front Scraper Assy	301601	1
2	Fiber Blade Block	301602	1
3	Scraper & Roller Mount	000170	1
4	Lower Blade Guide	301604	1
5	Back-Up Bearing	301605	1
6	Bolt	301606	1
7	Blade Scraper Assy	301607	1
8	Spring	301608	1
9	Lh Scraper Holder	000176	1
10	Scraper - Stainless Steel	301610	2
11	Deflector	301611	1
12	Rh Scraper Holder	000179	1
13	Fiber Wheel Scraper	301613	1
14	Scraper Spring	000132	1
15	Wheel Scraper Assy	301227	1

## REAR SCRAPER PARTS



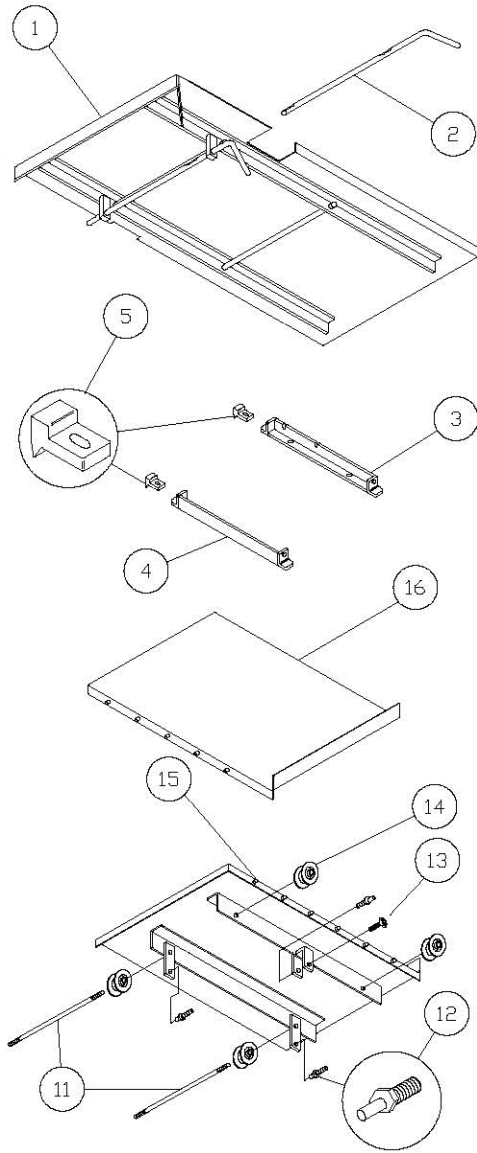
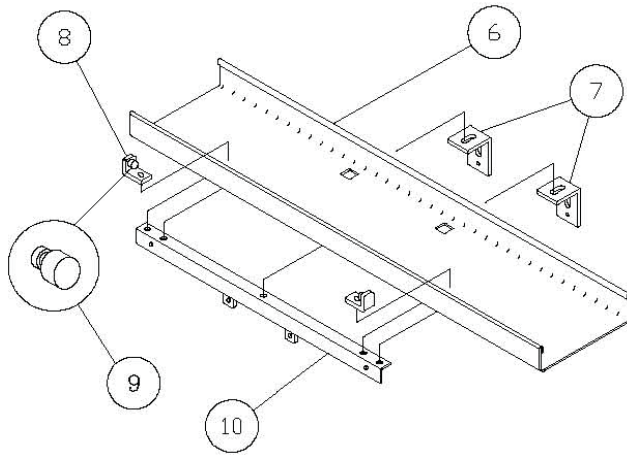
ITEM	DESCRIPTION	PART NO.	USE
1	Scrapper Mount & Lock	300405	1
2	Lock Pin	301702	1
3	Rh Scrapper Holder	000179	1
4	Spring	301608	1
5	Lh Scrapper Holder	000176	1
6	Bolt & Nut	301706	1
7	Fiber Scrapper	301707	2
8	Holding Stud	301708	1
9	Blade Scrapper Assy	301607	1
10	Scrapper Assy	301710	1

## MEAT GAUGE PARTS



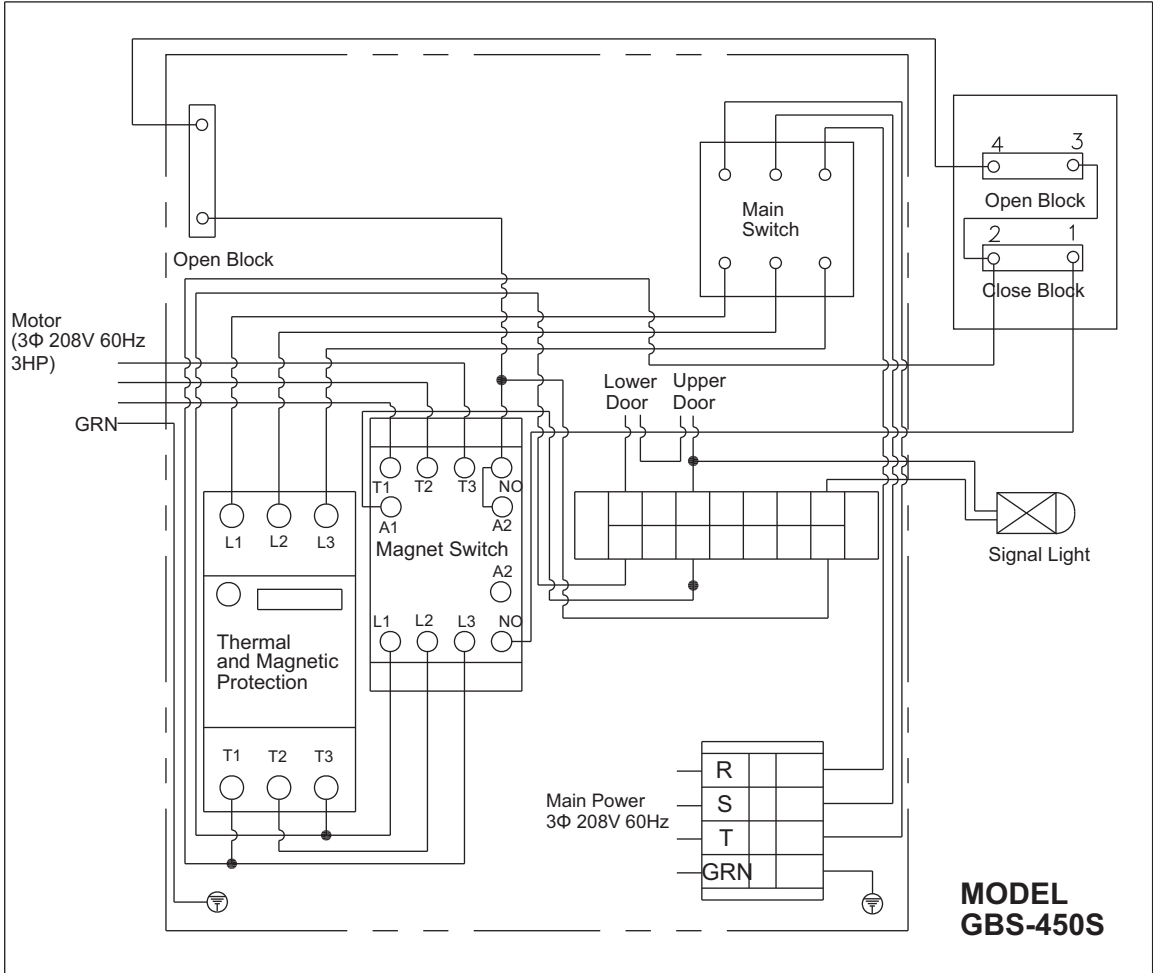
ITEM	DESCRIPTION	PART NO.	USE
1	Thickness Gauge Roller	301801	1
2	Thickness Gauge Plate	301802	1
3	Thickness Gauge Arm	301803	1
4	Thickness Gauge Arm Assy	301804	1
5	Handle Assy	301805	1
6	Bushing	301806	4
7	Gauge Spindle	301807	1
8	Thickness Gauge Slide Bracket	301808	1
9	Thickness Gauge Slide Lod	301809	1
10	Slide Lod Bracket	301810	2
11	Gauge Latch Lock	301811	1
12	Wing Bolt	301812	2
13	Slide Lod Assy	301813	1

## TABLE PARTS



ITEM	DESCRIPTION	PART NO.	USE
1	Stationary Table Assy	301901	1
2	Table Lock Lever	301902	1
3	Front Table Support	301903	1
4	Rear Table Support	301904	1
5	Lever Adjusting Lock	301905	2
6	Table Track	301906	1
7	Table Track Support	301907	2
8	Stop Bracket Assy	301908	2
9	Rubber Stopper	301909	2
10	Angle Support Assy	301910	1
11	Table Wheel Axel	301911	2
12	Table Holding Pin	301912	3
13	Table Stop Handle	301913	1
14	Table Rolling Wheel	301914	4
15	Table Button	301915	6
16	Roller Table Assy	301916	1

# ELECTRIC CURCUIT



# LIMITED WARRANTY

## Warranty Claims

German Knife / Radiance warrants that the equipment, as supplied from the factory to the end-user, is free from defects in materials and workmanship. Should any part be found defective resulting from normal use within the defined warranty period, German Knife / Radiance will gladly dispatch an authorized service agency to repair and/or replace necessary parts under the following conditions.

Repairs under this warranty are to be performed by a German Knife / Radiance authorized service agency only.

On-site warranty service calls within 100 miles of an authorized service company. End user is responsible for all extra travel and mileage at prevailing rates. No mileage or travel time is paid.

German Knife / Radiance will not be responsible for service parts and labor charges performed by non-authorized service companies.

All claims should include the model number, serial number, proof of purchase, date of installation, and all pertinent information supporting the alleged defect.

## PRODUCTS UNDER WARRANTY

**One year from the date of original installation or fifteen (15) months after shipment date from German Knife Radiance whichever occurs first.**

- Radiance Medium Duty Microwaves- NE/NM series (TMW-1100NE, TMW-1100NM, TMW-1100C)
- Radiance Ranges & Countertop cooking series (All TAR-, TARG-, TAHP-, TARB-, TAMG-, TATG-, TASP-, TAWR-)
- Radiance Steam Tables (RST-)
- Radiance Cheesemelters, Salamanders, Hand Wrappers (All TACM-, TASM-, RHW-, RFW-)
- Radiance Bakery Equipment (RBCO-, RBDO-, TDC-)
- German Knife Light Duty Slicer- LD series (GS-12LD)

**Two years from the date of original installation or twenty seven (27) months after shipment date from German Knife Radiance whichever occurs first.**

- German Knife Heavy Duty Meat Slicer- Automatic & Manual (GS-12A, GS-12M)
- German Knife Band Saw (All GBS-)

**One year from the date of original installation or fifteen (15) months after shipment date from German Knife Radiance whichever occurs first. Plus 2 additional years for Magnetron (part only)**

- Radiance Heavy Duty Microwaves- HD Series (TMW-1200HD, TMW-1800HD)

Stainless steel fabrication models such as sinks, work tables, equipment stands, wall shelves, utility carts are not covered under warranty unless damage is reported or claimed right after shipment is received not exceeding 3 days from receiving.

Any part covered under this warranty that is found by German Knife / Radiance to have been defective within the above time period is limited to the repair or replacement, including labor charges, of defective parts or assemblies. The labor charges shall include standard straight time labor charges only and reasonable travel time as determined by German Knife / Radiance.

## WHAT IS NOT COVERED BY THIS WARRANTY

German Knife / Radiance's sole obligation under this warranty is limited to either repair or replacement of parts, subject to the additional limitations below. This warranty neither assumes nor authorizes any person to assume obligations other than those expressly covered by this warranty.

- Equipment failure resulting from improper installation will not be honored under warranty. Examples are wrong utility connection and improper utility supply problems.
- Equipment that has not been maintained accordingly. Examples are calibration of controls, adjustment to pilots and burners, and damage from improper cleaning.
- Equipment that has not been used in an appropriate manner, alteration, neglect, abuse, misuse, accident, damage during transit or installation, fire, food, acts of God.
- Warranty is not transferrable and only applies in favor of the original purchaser.
- Equipment failure resulting from electrical power failure, use of extension cords, unstable power supply, low voltage, and voltage drops to the unit.

These warranties are exclusive and in lieu of all other warranties, including implied warranty and merchantability or fitness for a particular purpose. No consequential damages. German Knife / Radiance is not responsible for economic loss, profit loss or special, indirect, or consequential damages. There are no warranties which extend beyond the description on the face hereof.

Outside the U.S., this warranty does not apply to, and German Knife / Radiance is not responsible for, any warranty claims made on products sold or used outside the continent of the United States.