

Project :

Model # :

Item # :

Qty :

Approval :

## Condensing Unit

**Model : TS010MR404A2-T**



### ≡ FEATURES / BENEFITS ≡

- Blue anti-corrosion-fin increases the life span of the coil.
- Seamless inner groove copper tube increases the heat exchange rate by reducing the space between the fin and copper tube.
- Highest quality compressor in the world.
- Control box is designed for easy installation.
- Low pressure control is adjustable.
- All the parts are compliant with industry standards and interchangeable with readily available parts.
- Wiring : Easily accessible. Compressor comes with a wiring harness that is manufactured with connections that will not come loose with vibration.
- Control box and service valves are located outside for easy service.
- Base : Heavy duty steel. Legs are 2-1/6" tall
- Cabinet : Prepainted with galvanized body. Protects against corrosion.
- All products carry UL, cUL, ISO 9001 approvals.



# Condensing Unit

## Model : TS010MR404A2-T

### PERFORMANCE CHART

R448/449A

	40°F( SST)	30°F	25°F	20°F	15°F	10°F	0°F	-10°F
90°F( AMBIENT)	13740	11230	10250	9175	8326	7508	6115	4888
95°F	13175	10830	9888	8850	8052	7280	5945	4804
100°F	12550	10334	9480	8590	7767	7030	5770	4698
110°F	11525	9436	8720	7816	7086	6440	5355	-

R404A

	40°F( SST)	30°F	25°F	20°F	15°F	10°F	0°F	-10°F
90°F( AMBIENT)	13880	11900	11060	10113	9266	8472	6913	5447
95°F	13320	11383	10495	9691	8876	8112	6673	5182
100°F	12620	10867	10052	9317	8554	7770	6387	4922
110°F	11570	10131	9343	8674	8039	7338	5925	-

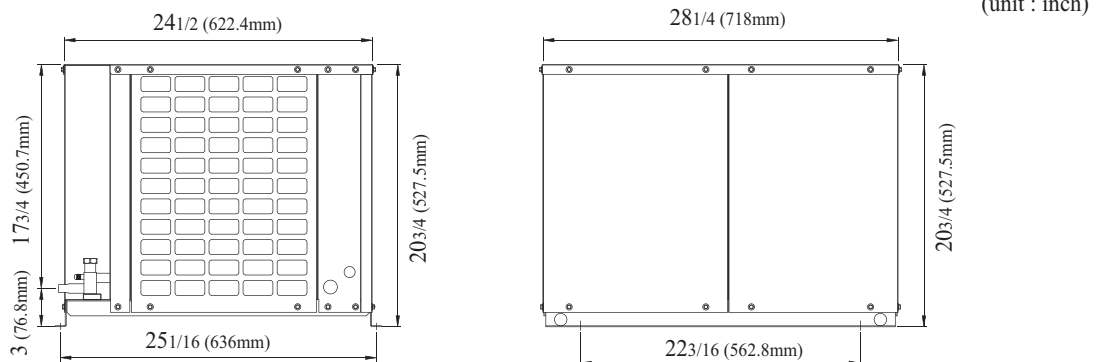
### SPECIFICATION

	TS010MR404A2-T
Compressor	ZS09KAE-PFV
Line Size	3/8" Liquid 5/8" Suction
Refrigerant (Receiver 90%)	8 lbs
Fan Data	1 Fan (1503CFM)
Dimensions	24.5(D) x 28.25(W) x 20.75(H)
Net Weight	176 lbs
Power Supply	208-230/1ph/60hz
Compressor Amp	10(RLA), 40.3(LRA)
MCA/MOPD	15/20
Sound dBA	68
AWEF Value (R-404A, R-448A / R-449A)	7.6, 7.6

Design and specifications subject to change without notice

- **WARRANTY :** 1 Year Compressor Warranty (4 Year extended warranty available)  
 1 Year Fan Motor and Parts Warranty

### PLAN VIEW



Ver.20210217



■ Toll Free : 888-900-1002