

Turbo air
 REFRIGERATOR MANUFACTURER
 more durable, efficient, beautiful

4184 E. Conant St.
 Long Beach, CA 90808
 Tel. 310-900-1000
 Fax. 310-900-1077
www.turboairinc.com

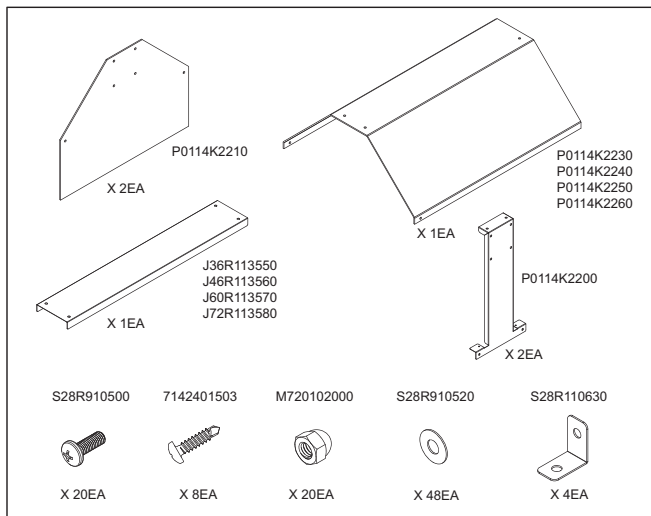
Project:	
Model #:	
Item #:	
Available W/H:	Qty:
Approval:	
AIA #:	SIS #:
CSI Section 11400	

Sneeze Guards for JBT Series

Model : SNZ-T



SNZ-60T

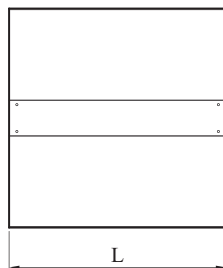


FEATURES & BENEFITS

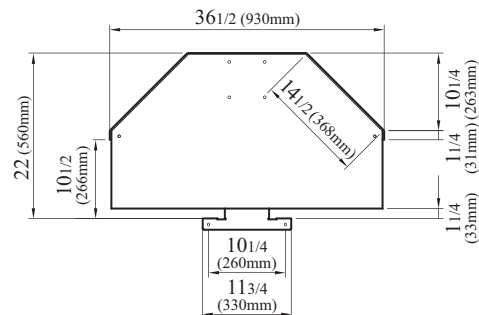
- Double sided sneeze guard keeps the food safe and protects the food area from germs and foreign objects
- A transparent polycarbonate cover is durable, less likely to get scratches, and break resistant. 304 stainless steel two side stands are easy to clean and anti-corrosive
- The package includes support brackets and mounting hardware (except tools)

PLAN VIEW

(unit : inch)



COVER PLAN VIEW

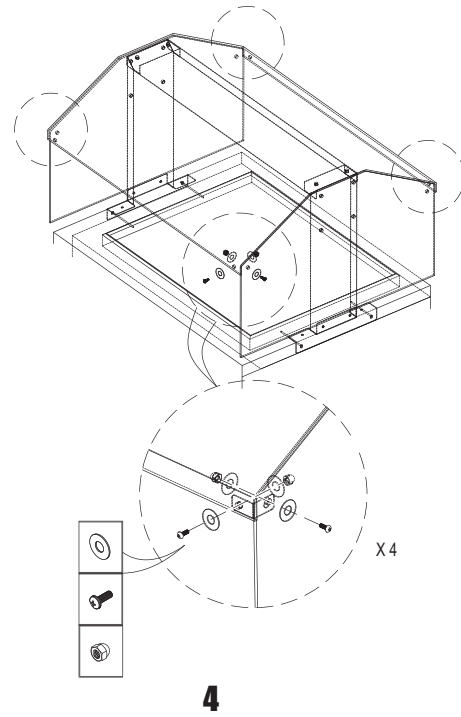
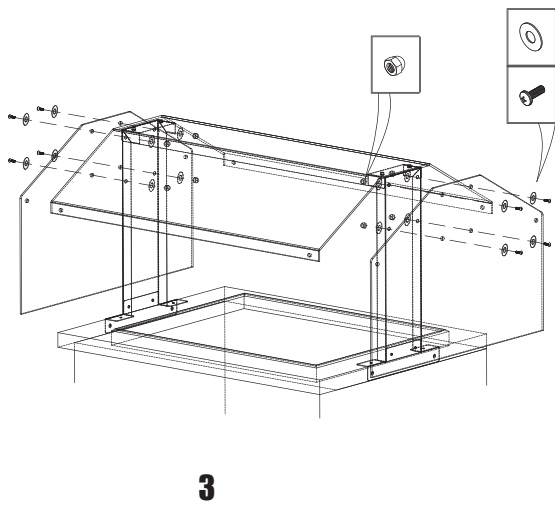
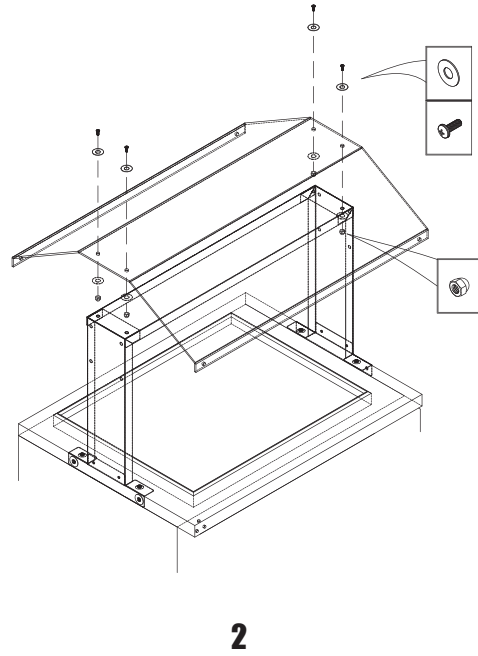
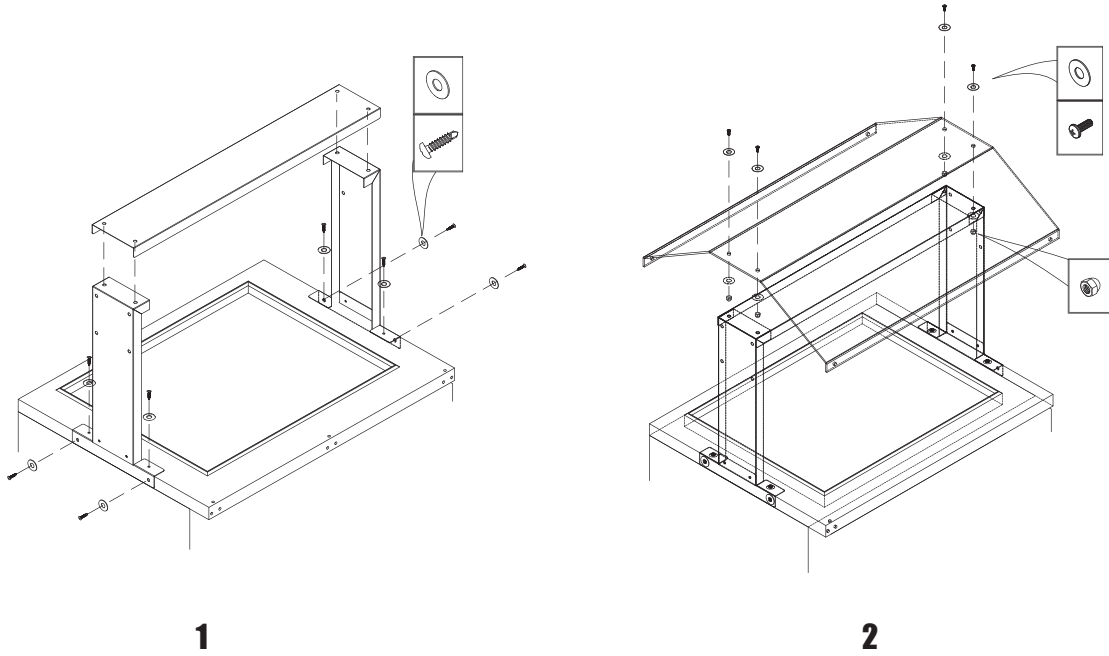


SIDE VIEW

Model	L (in.)	Crated Weight (lbs.)
SNZ-36T	36 1/4 (922mm)	40
SNZ-48T	48 (1222mm)	55
SNZ-60T	60 (1522mm)	61
SNZ-72T	71 3/4 (1822mm)	67

Sneeze Guards for JBT Series

Installation Instruction



Ver.20250416

- Turbo Air: 800-627-0032
- Radiance: 800-500-3519
- Warranty: 800-381-7770
- AC: 888-900-1002