

# TRAY SLIDE UNIVERSAL (M3H24)

## INSTALLATION MANUAL

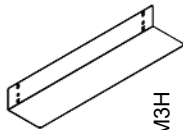
ITEM ①



T24H139090  
POST TRAY SLIDE UNIVERSAL M3H24-TS

X 4 EACH

ITEM ②



T24H139080  
TRAY SLIDE UNIVERSAL M3H

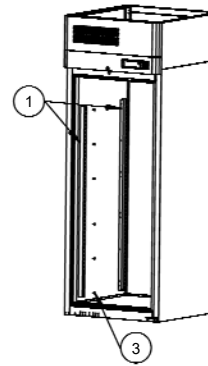
5 PAIRS

ITEM ③



7142401303  
(SCREW M4\*13 DELTA COATING #8 1/2)

X 27 EACH



### 1 INSTALLING POSTS

UNSCREW AND REMOVE ALL SHELF STANDARD/PILASTER

INSTALL ITEM 1 WITH ITEM 3 TO BOTH SIDES OF CABINET LINER USING THE EXISTING DRILLED HOLES

TWO POST ON EACH SIDE FACING INWARD AS SHOWN

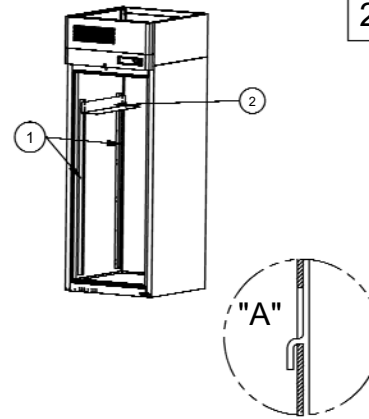
### 2 INSTALLING TRAY SLIDES

INSTALL ITEM 2 INTO ITEM 1 AS SHOWN

TRAY SLIDE HOOKS SHOULD BE POSITIONED INSIDE OF RECTANGLE OPENING (SEE "A")

TRAY SLIDE ALIGNMENT (ON EACH POST) SHOULD BE ON THE SAME RECTANGLE OPENING

REPEAT INSTALLMENT OF TRAY SLIDES 5 PAIRS



### 3 INSTALLING BUN PANS & PANS

TRAY SLIDES UNIVERSAL USE  
18" X 26" BUN PANS  
18" X 14" BUN PANS  
FULL SIZE PANS

